



— Simplify your life —
AV Access

eShare C30

Hybrid Conference System with USB 3.0



User Manual

Disclaimers

The information in this manual has been carefully checked and is believed to be accurate. AV Access Technology Limited assumes no responsibility for any infringements of patents or other rights of third parties which may result from its use.

AV Access Technology Limited assumes no responsibility for any inaccuracies that may be contained in this document. AV Access Technology Limited also makes no commitment to update or to keep current the information contained in this document.

AV Access Technology Limited reserves the right to make improvements to this document and/or product at any time and without notice.

Copyright

Copy, Reproduce, Distribute and/or Edit of this document or part of it as well as utilization of its contents and communication thereof to others without express authorization are prohibited. Offenders will be held liable for payment of damages. All rights created by patent grant or registration of a utility model or design patent are reserved. Copyright ©2022 AV Access Technology Limited All rights reserved.

Trademarks Notice

All products or service names mentioned in this document may be trademarks of the companies with which they are associated.

Contact Us

Email: info@avaccess.com

Important Safety Instructions

- Do not expose this device to rain, moisture, dripping or splashing. No objects filled with liquids, such as vases, shall be placed on the device.
- Do not install or place this unit in a bookcase, built-in cabinet, or in another confined space. Ensure the unit is well ventilated.
- To prevent risk of electric shock or fire hazard due to overheating, do not obstruct the unit's ventilation openings with newspapers, tablecloths, curtains, or similar items.
- Do not install near any heat sources such as radiators, heat registers, stoves, or other device (including amplifiers) that produce heat.
- Do not place sources of naked flames, such as lighted candles, on the unit.
- Clean this device only with dry cloth.
- Unplug this device during lightning storms or when unused for long periods of time.
- Protect the power cord from being walked on or pinched, particularly at plugs.
- Only use attachments / accessories specified by the manufacturer.
- Refer all servicing to qualified service personnel.

Table of Contents

Introduction.....	2
Overview	2
Features	2
Package Contents.....	2
Panel.....	3
Installation and Application	4
Brackets Installation.....	4
Application	5
Specifications	6
Trouble Shooting.....	7
Warranty	8

Introduction

Overview

This product is a professional wired presentation system via USB-C/HDMI inputs, which is especially designed for small meeting rooms. It is able to share multiple USB 3.0 devices (such as USB camera, speakerphone or other conference devices) between USB-C and USB-B ports. With automatic switching function built-in, it supports plug and play, and not needs to manually operated. The device is also attached with HDMI and USB-C cables with lockable design, providing more secure and stable meeting experience. Featuring single-sided connection design, it is convenient to be installed under the desk with mounting brackets and self-drilling screws provided.

Features

- Easy connection, meeting anytime.
- Wired presentation system via USB-C/HDMI input, specially designed for small meeting rooms.
- Able to share multiple USB 3.0 devices between USB-C and USB-B port, like USB camera, speakerphone and other conference devices.
- Built-in smart automatic switching system, no extra manual operation required, just plug and play.
- Comes with lockable USB-C and HDMI cables for a more secure and stable meeting experience.
- Optimized single-sided cable connection designed for under-desk installation. Comes with mounting brackets and self-drilling screws.

Package Contents

- Switcher x 1
- DC 12V Power Adapter with US, EU and UK Pins

- USB Type-C to USB Type-C Cable (L=2m) x 1
- USB 3.0 Type-A to USB Type-B Cable (L=1.8m) x 1
- HDMI Cable (L=2m) x 1
- Mounting Brackets x 2
- Mounting Screws x 4
- Self-Drilling Screws x 4
- User Manual x 1

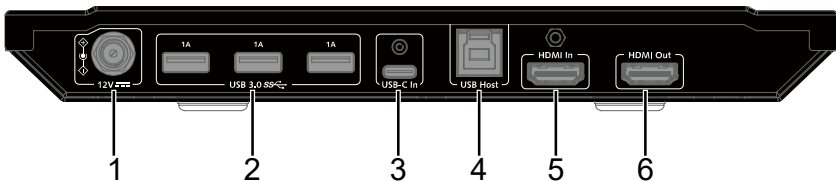
Panel

Front Panel



No.	Name	Description
1	Power LED	On/Off: The device is powered on/off.
2	Status LED	On: The device is working normally. Off: Not working or working error.

Rear Panel



No.	Name	Description
1	DC 12V In	Connect to the power adapter provided.
2	USB 3.0	USB type-A ports. Connect to USB devices such as USB camera, USB speakerphone.

No.	Name	Description
3	USB-C In	USB Type-C input, connect to a laptop with USB Type-C supported. Please use the following cable: USB Type-C to Type-C cable (USB 3.0 or above)
4	USB Host	USB Type-B port. Connect to a USB host device.
5	HDMI In	Connect to an HDMI source.
6	HDMI Out	Connect to an HDMI display.

Installation and Application

Brackets Installation

Note: Before installation, please ensure the device is disconnected from the power source.

Steps to install the device in a suitable location

1. Attach the installation bracket to the bottom panel of the device using the screws that were provided in the package separately.
2. The bracket is attached to the enclosure as shown in the following figure 1.
3. Repeat steps from 1 to 2 for the other side of the unit.
4. The provided self-drilling screws can be used to install the device under the desk/on the side of the desk or any other woody materials. As shown in the following figure 2.

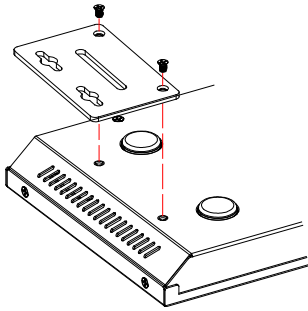


Figure 1

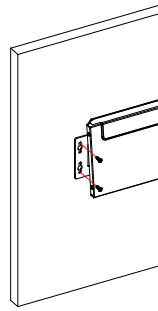
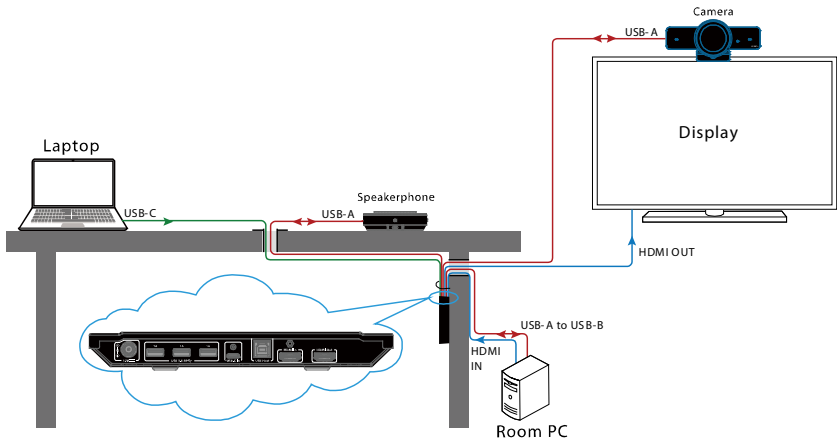


Figure 2

Application

Application 1: Huddle room with room PC

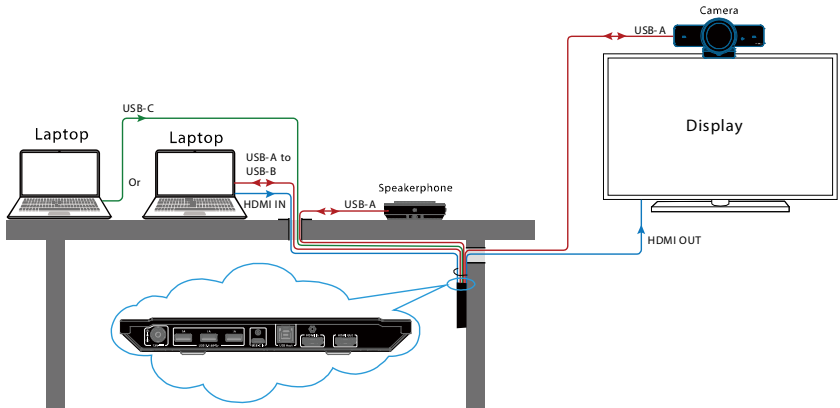
HDMI In port and USB-A to USB-B cable are connected to a Room PC for conferencing. When other people need to share contents, just needs to connect the laptop needs to be shared to the USB-C cable. All USB devices and display will be switch to the this laptop automatically.



Application 2: Huddle room without room PC

Users can share contents through connecting their laptops to USB-C cable or

HDMI In cable and USB-A to USB-B cable. All USB devices and display will be switched to the latest inserted USB-C laptop or HDMI laptop automatically.



Specifications

Video	
Input / Output Signal Type	<p>HDMI In/Out: HDMI 2.0 with 4K@60Hz 4:4:4 8bit</p> <p>USB-C In: DP alt mode with 2-lane 4K@30Hz/USB 3.0 up to 5Gbps</p> <p>All inputs and output support HDCP 2.2</p>
Input / Output Resolution	<p>HDMI In/Out:</p> <p>VESA: 800 x 600⁸, 1024 x 768⁸, 1280 x 768⁸, 1280 x 800⁸, 1280 x 960⁸, 1280 x 1024⁸, 1360 x 768⁸, 1366 x 768⁸, 1440 x 900⁸, 1600 x 900⁸, 1600 x 1200⁸, 1680 x 1050⁸, 1920 x 1200⁸, 2048 x 1152⁸, 3840 x 2160^{2,3,5,6,8}, 4096 x 2160^{2,3,5,6,8}</p> <p>SMPTE: 1280 x 720P^{6,7,8}, 1920 x 1080P^{6,7,8,9}</p> <p>USB-C In:</p> <p>VESA: 800 x 600⁸, 1024 x 768⁸, 1280 x 768⁸, 1280 x 800⁸, 1280 x 960⁸, 1280 x 1024⁸, 1360 x 768⁸, 1366 x 768⁸, 1440 x 900⁸, 1600 x 900⁸, 1600 x 1200⁸, 1680 x 1050⁸, 1920 x 1200⁸, 2048 x 1152⁸, 3840 x 2160^{2,3,5}, 4096 x 2160^{2,3,5}</p> <p>SMPTE: 1280 x 720P^{6,7,8}, 1920 x 1080P^{6,7,8,9}</p> <p>1 = at 23.98 Hz, 2 = at 24 Hz, 3 = at 25 Hz, 4 = at 29.97 Hz, 5 = at 30 Hz, 6 = at 50 Hz, 7 = at 59.94 Hz, 8 = at 60 Hz, 9 = at 120 Hz</p>

General	
Operating Temperature	32°F to 113°F (0°C to 45°C)
Storage Temperature	-4°F to 158°F (-20°C to 70°C)
Humidity	10% to 90%, non-condensing
ESD Protection	Human-body Model: ±8kV (Air-gap discharge)/ ±4kV (Contact discharge)
Power Supply	DC 12V 2A
Power Consumption	18.57W (full-loaded) 7.54W (without USB)
Dimensions (W x H x D)	230mmx25mmx142.6mm/9.06"x0.98"x5.61"
Product Weight	0.76kg/1.68lbs

Transmission Distance

Cable	Range	Supported Video
HDMI	Input/Output: 15m/49ft	4K@60Hz 4:4:4 24bpp
USB-C	2m/7ft	4K@30Hz

Trouble Shooting

1. Power

Please make sure all devices are powered on. (Sources, switcher, display devices).

2. USB-C and HDMI In sources can't be switched

Reinsert the cable of the source you want to display. Switch to USB-C laptop, please reinsert USB-C cable, and switch to HDMI laptop, please reinsert HDMI cable.

3. USB peripheral devices don't work

Reinsert the cable of the source you want to connect with the USB devices. Switch to USB-C laptop, please reinsert USB-C cable, and switch to HDMI laptop, please reinsert HDMI cable.

4. Compatibility

Please test other source and display devices to determine whether it is a compatibility issue.

Warranty

Products are backed by a limited 1-year parts and labor warranty. For the following cases AV Access Technology Limited shall charge for the service(s) claimed for the product if the product is still remediable and the warranty card becomes unenforceable or inapplicable.

1. The original serial number (specified by AV Access Technology Limited) labeled on the product has been removed, erased, replaced, defaced or is illegible.
2. The warranty has expired.
3. The defects are caused by the fact that the product is repaired, dismantled or altered by anyone that is not from an AV Access Technology Limited authorized service partner. The defects are caused by the fact that the product is used or handled improperly, roughly or not as instructed in the applicable User Guide.
4. The defects are caused by any force majeure including but not limited to accidents, fire, earthquake, lightning, tsunami and war.
5. The service, configuration and gifts promised by salesman only but not covered by normal contract.
6. AV Access Technology Limited preserves the right for interpretation of these cases above and to make changes to them at any time without notice.

Thank you for choosing products from AV Access.



AV Access — *Simplify your life* —

AV Access Technology Limited

V1.0.1